



## FEATURES

- **Warranty:** 2 years
- **Applicable valve:** Ball Valve; Butterfly Valve, Plug valve
- **Anti-corrosion Protection:** Epoxy resin enclosure meets NEMA 4X, customer-special painting is available
- **Energy Efficiency:** The electric actuator is equipped with DC motor and drive technology, energy saving and environmental protection, can receive solar or wind power generation equipment power.
- **Intelligent operation interface:** The intelligent electric actuator uses the LCD operating interface, and is used with the remote control for a variety of configuration operations. It can switch multiple languages to meet the needs of customers in different regions.
- **Patent Mechanic Design:** Planetary gear design to realize the automatic switching function of flashlight. No clutch design, so that the actuator can be switched to manual state, flashlight non-interference. Ensure the safety of field operators. Planetary Sun wheel design has obtained a national patent.
- **Infrared Remote Control:** The intelligent type actuator is able to provide different remote control sets based on different application requirements. Such as portable infrared remote control in general places, and explosion-proof remote control for hazardous locations.
- **3D window pointer:** The operator can clearly observe the travel position of the electric actuator from 360° Angle without dead Angle. 3D window indicator body with high strength, anti-aging and RoHS-compliant.

## EOM2-9 SERIES INTELLIGENT TYPE QUARTER TURN ELECTRIC ACTUATOR

EOM series angular travel electric actuator is through the multistage reducer, worm gear and other mechanisms, and then through the output shaft, to control the valve switch device, mainly with the plug valve, butterfly valve, ball valve and other valves. EOM series electric actuator has hand/electric automatic switching function. The clutch-free design ensures the safety of the field staff and improves the transmission efficiency of the electric actuator



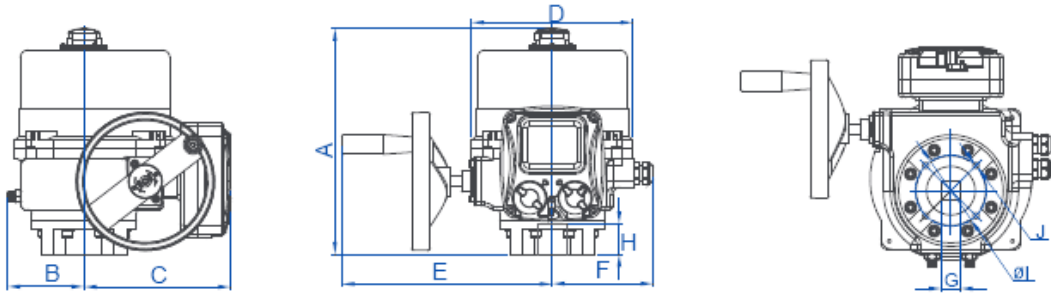
## TECHNICAL DATA

<b>Ambient Temperature</b>	-25°C.....70 °C; Optional: -40°C.....60 °C
<b>Ingress Protection</b>	IP67, optional: IP68
<b>Torque Range</b>	100-20000N.m
<b>Applicable Voltage</b>	1 phase: AC/DC24V / AC110V / AC220V / AC230V /AC240V

## EOM2-9 SERIES INTELLIGENT TYPE QUARTER TURN ELECTRIC ACTUATOR

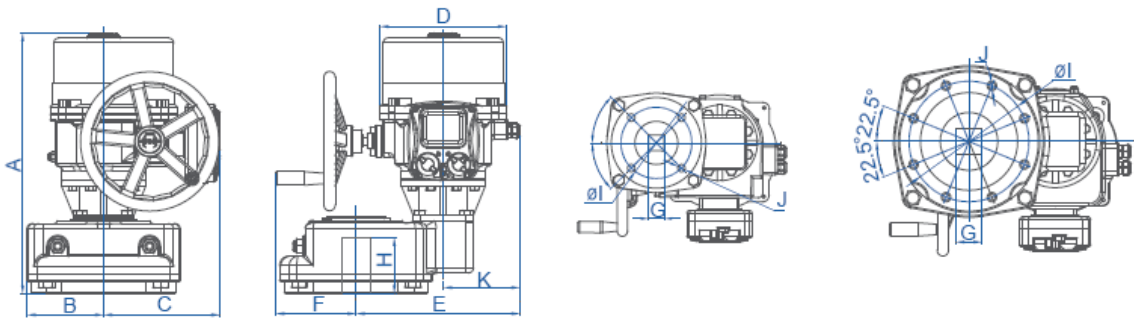
Material of Actuator Body	Aluminum Alloy
Control Mode	On-off Type & Modulating Type
Torque Range	100-20000N.m
Running Time	19-155s
Applicable Voltage	1 phase: AC/DC24V / AC110V / AC220V / AC230V / AC240V
Ambient Temperature	-25°C.....70 °C; Optional: -40°C.....60 °C
Anti-vibration Level	JB/T8219
Noise Level	Less than 75 dB within 1m
Ingress Protection	IP67, optional: IP68
Connection Size	ISO5211
Motor Specifications	Class F, with thermal protector up to +135°C+275°F); Optional : Class H
On/off Type Signal	<p>Input Signal: AC/DC 24 input control or AC 110/220v input control</p> <p>Signal Feedback:</p> <ol style="list-style-type: none"> <li>1. Close the valve contact</li> <li>2. Open the valve contact</li> <li>3. Optional: Closing torque signal contact Local/remote contacts</li> <li>4. Integrated fault contact 4~20 mA to send</li> </ol> <p>Malfunction Feedback: Integrated fault alarm; Motor overheating</p> <p>Optional: Undercurrent protection contact</p>
Modulating Type Signal	<p>Input Signal: 4-20mA; 0-10V; 2-10V</p> <p>Input impedance: 250Ω (4-20mA)</p> <p>Output signal: 4-20mA; 0-10V; 2-10V</p> <p>Output impedance: ≤ 750Ω (4-20mA) Repeatability and linearity within ±1% of full valve stroke</p> <p>Signal Reverse: Support</p> <p>Loss Signal Mode Setting: Support</p> <p>Dead Zone: ≤2.5%</p>
Working System	On-off Type: S2-15 min, no more than 600 times per hour start Modulating Type: S4-50% up to 600 times per hour start; Optional: 1200 times per hour
Indication	LCD screen opening indicator
Other Function	<ol style="list-style-type: none"> <li>1. Phase correction (3-phase power supply only)</li> <li>2. Torque protection</li> <li>3. Motor overheat protection</li> <li>4. Moisture- resistant heaters (anti-moisture device)</li> </ol>

# EOM2-9 SERIES INTELLIGENT TYPE QUARTER TURN ELECTRIC ACTUATOR



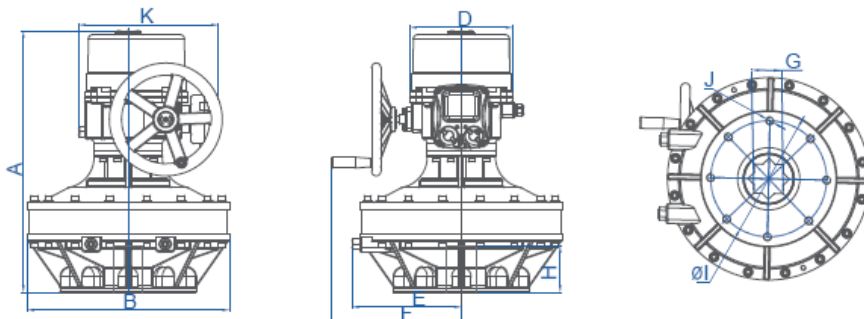
## DIMENSION EOM 2-9

MODEL	A	B	C	D	E	F	G	H	ØI	J	K	WEIGHT (kg)
EOM 2	268	79	198	190	240	121	14 x 14	35	70	4- M8	-	13
EOM 3							17 x 17			-		
EOM 4	327	110	210	232	301	145	22 x 22	55	102	4- M10	-	24
EOM 5							22 x 22			4- M10		
EOM 6							27 x 27			4- M12		
EOM 7							27 x 27			4- M12		
EOM 8	380	127	234	265	333	161	27 x 27	65	125	4- M12	-	38
EOM 9							36 x 36			4- M16		



## DIMENSION EOM 10-12

MODEL	A	B	C	D	E	F	G	H	ØI	J	K	WEIGHT (kg)
EOM 10	532	118	227	265	180	300	40 x 40	85	140	4- M16	156	78
EOM 11							46 x 46		165	4- M20		
EOM 12	545	160	244	265	168	343	55 x 55	130	165	8- M16	156	109



## DIMENSION EOM 13-15

MODEL	A	B	C	D	E	F	G	H	ØI	J	K	WEIGHT (kg)
EOM 12	672	520	-	265	281	331	55 x 55	120	254	8- M16	385	220
EOM 13							75 x 75		298	8- M20		
EOM 14							75 x 75		298	8- M20		

# EOM2-9 SERIES INTELLIGENT TYPE QUARTER TURN ELECTRIC ACTUATOR

## PERFORMANCE PARAMETER

Model	Power (W)	Max Output Torque (N.m)		Max Output Torque (lbf.in)		Running time (Sec)				ISO 5211	Remarks
		AC 110 V AC 220 V AC/DC 24 V	AC 220 V AC 380 V 3 Phase	AC 110 V AC 220 V AC/DC 24 V	AC 220 V AC 380 V 3 Phase	50 Hz		AC/DC 24 V	Fail-safe		
						AC 110 V AC 220 V	AC 380 V 3 Phase				
EFMB-1	5	10	-	89	-	13	-	13	-	F03/F04/F05	Manual Wrench
EFMB-2	8	20	-	177	-	12	-	12	-		
EFMB-3	10	30	-	266	-	11	-	11	-		
EFM1-(H)	10	35	-	310	-	11	-	8		F03/F05/F07	Manual wrench options: Handwheel
EFMA-(H)		50	-	443	-	15	-	10			
EFMB-H		80	-	708	-	22	-	15			
EOM 2	40	100		885		19		14		F05/F07 F10/F12	Handwheel operation planetary gear mechanism
EOM 3		200		1770		39		28			
EOM 3A		300		2655		39		28			
EOM 4	90	400		3540		29		21		F10/F12/F14	
EOM 5		600		5310		39		28			
EOM 6		800		7080		47		34			
EOM 7	120	1000		8850		47		34		F12/F14/F16	
EOM 7A		1300		11505		47		34			
EOM 8		1700		15045		34		25			
EOM 8A	200	2000		17700		34		25	-	F14/F16	
EOM 9		2300		20355		47		34	-		
EOM 10		3500		30975		76		55	-		
EOM 11	5000		44250		105		76	-	F25		
EOM 12	8000		70800		143		103	-			
EOM 13	400	-	13000	-	115050	-	109	-		F25/F30	
EOM 14		-	16000	-	141600	-	129	-			
EOM 15		-	20000	-	177000	-	155	-			

Note: Standard configuration

1. Rated torque is 75% of the max torque.
2. Motor insulation is class F. Class H is optional.
3. The running time of 60 Hz is 5/6 of that of 50 Hz. The max output torque is the same as above.
4. Above mentioned 3 phase output power doesn't apply to EFM1-(H), EFMA-(H).
5. For the above 3A/7A/8A/12 products, on/off type is S2-8min; modulating type is S4-15%.