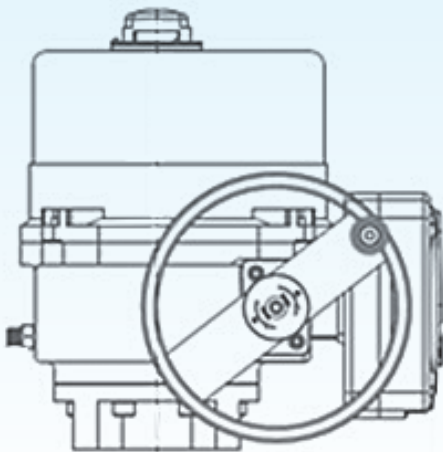




FEATURES

- **Warranty:** 2 years
- **Applicable valve:** Ball Valve; Butterfly Valve
- **Overload Protection:** The power will automatically shut off when the valve jam occurs. Thus preventing further damage to the valve and actuator
- **Operational Safety:** F grade insulation motor. The motor winding has a temperature control switch to sense the temperature of the motor to protect the overheating issues, thus ensures the operational safety of the motor.
- **Voltage Protection:** Protection against the high and low voltage situations.
- **Anti-corrosion Protection:** Epoxy resin enclosure meets NEMA 4X, customer-special painting is available.
- **Ingress Protection:** IP67 optional: IP68
- **Fireproofing Grade:** High temperature fireproof enclosure meets requirements in different situation



EOM2-9 SERIES INTELLIGENT TYPE QUARTER TURN ELECTRIC ACTUATOR

The EOM series electric actuator is a motor-driven device that uses a combination of multistage reduction gear, worm gear, and other mechanisms to rotate and switch the valve device in a 90° rotation form through the output shaft. This actuator is primarily used to drive and control the Angle travel valve opening for various valve-like applications, such as butterfly valves, ball valves, and plug valves. The EOM intelligent type offers a torque range of 100-20000N.m, while the conventional EOM series electric actuator operates without a clutch, ensuring durability and stability of the stroke. These features enhance the transfer efficiency and reliability of the actuator.



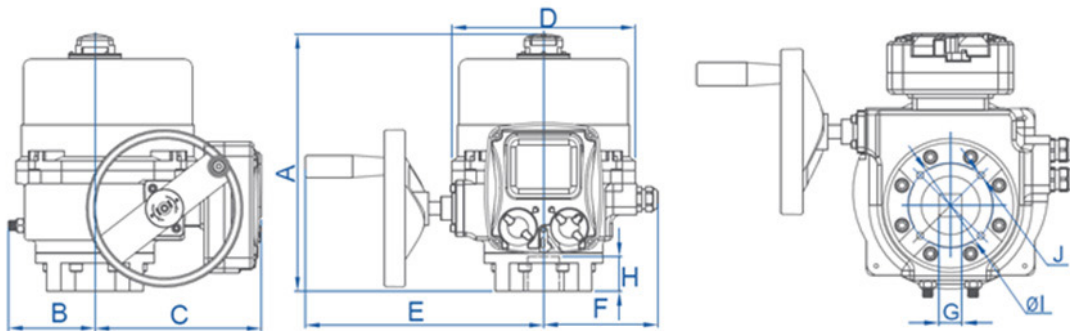
TECHNICAL DATA

Ambient Temperature	-25°C.....70 °C; Optional: -40°C.....60 °C
Material of Actuator Body	Aluminum Alloy
Torque Range	100-20000N.m
Applicable Voltage	1 phase: AC/DC24V / AC110V / AC220V / AC230V /AC240V 3 phase: AC208-480V

EOM2-9 SERIES INTELLIGENT TYPE QUARTER TURN ELECTRIC ACTUATOR

Material of Actuator Body	Aluminum Alloy
Control Mode	On-off Type & Modulating Type
Torque Range	100-20000N.m
Running Time	19-155s
Applicable Voltage	1 phase: AC/DC24V / AC110V / AC220V / AC230V /AC240V 3 phase: AC208-480V
Ambient Temperature	-25°C.....70 °C; Optional: -40°C.....60 °C
Anti-vibration Level	JB/T8219
Noise Level	Less than 75 dB within 1m
Ingress Protection	IP67 optional: IP68 (Maximum 7m; Max:72 hours)
Connection Size	ISO5211
Bus	Modbus
Motor Specifications	Class F, with thermal protector up to +135°C (+275°F); Optional : Class H
On/off Type Signal	Input Signal: AC/DC 24 input control or AC 110/220v input control Signal Feedback: 1. Close the valve contact 2. Open the valve contact 3. Standard: Opening torque signal contact 4. Closing torque signal contact Local/Remote contact 5. Optional: Integrated fault contact 4~20mA to send. Malfunction Feedback: Integrated fault alarm; Power off; Motor overheating, lack of phase, over torque; signal off; ESD beyond protection, terminal output
Modulating Type Signal	Input Signal: 4-20mA; 0-10V: 2-10V Input impedance: 250Ω (4-20mA) Output signal: 4-20mA; 0-10V: 2-10V Output impedance: ≤ 750Ω (4-20mA) Repeatability and linearity within ±1% of full valve stroke Signal Reverse: Support Loss Signal Mode Setting: Support Dead Zone: 0.5-9.9% adjustable rate within full stroke
Working System	On-off Type: S2-15 min, no more than 600 times per hour start Modulating Type: S4-50% up to 600 times per hour start; Optional: 1200 times per hour
Indication	LCD screen opening indicator
Other Function	1. Phase correction (3-phase power supply only) 2. Alarm signal (local and remote included) 3. Torque protection 4. Motor overheat protection 5. Moisture- resistant heaters (anti-moisture device) 6. Infrared remote control

EOM2-9 SERIES INTELLIGENT TYPE QUARTER TURN ELECTRIC ACTUATOR



DIMENSION EOM 2-9

MODEL	A	B	C	D	E	F	G	H	ØI	J	K	WEIGHT (kg)
EOM 2	268	79	198	190	240	121	14 x 14	35	70	4- M8	-	13
EOM 3							17 x 17					
EOM 4	327	110	210	232	301	145	22 x 22	55	102	4- M10	-	24
EOM 5							22 x 22					
EOM 6							27 x 27					
EOM 7							27 x 27					
EOM 8	380	127	234	265	333	161	27 x 27	65	125	4- M12	-	38
EOM 9							36 x 36		140	4- M16		

DIMENSION EOM 10-12

MODEL	A	B	C	D	E	F	G	H	ØI	J	K	WEIGHT (kg)
EOM 10	532	118	227	265	180	300	40 x 40	85	140	4- M16	156	78
EOM 11							46 x 46		165	4- M16		
EOM 12	545	160	244	265	168	343	55 x 55	130	165	8- M16	156	109

DIMENSION EOM 13-15

MODEL	A	B	C	D	E	F	G	H	ØI	J	K	WEIGHT (kg)
EOM 12	672	520	-	265	281	331	55 x 55	120	254	8- M16	385	220
EOM 13							75 x 75		298	8- M20		
EOM 14							75 x 75		298	8- M20		

EOM2-9 SERIES INTELLIGENT TYPE QUARTER TURN ELECTRIC ACTUATOR

PERFORMANCE PARAMETER

Model	Power (W)	Max Output Torque (N.m)		Max Output Torque (lbf.in)		Running time (Sec)				ISO 5211	Remarks
		AC 110 V AC 220 V AC/DC 24 V	AC 220 V AC 380 V 3 Phase	AC 110 V AC 220 V AC/DC 24 V	AC 220 V AC 380 V 3 Phase	50 Hz		AC/DC 24 V	Fail-safe		
						AC 110 V AC 220 V	AC 380 V 3 Phase				
EFMB-1	5	10	-	89	-	13	-	13	-	F03/F04/F05	Manual Wrench
EFMB-2	8	20	-	177	-	12	-	12	-		
EFMB-3	10	30	-	266	-	11	-	11	-		
EFM1-(H)	10	35	-	310	-	11	-	8	-	F03/F05/F07	Manual wrench options:
EFMA-(H)		50	-	443	-	15	-	10	-		Handwheel
EFMB-H		80	-	708	-	22	-	15	-		Handwheel
EOM 2	40	100		885		19		14		F05/F07 F10/F12	Handwheel operation planetary gear mechanism
EOM 3		200		1770		39		28			
EOM 3A		300		2655		39		28			
EOM 4	90	400		3540		29		21		F10/F12/F14	Handwheel operation planetary gear mechanism
EOM 5		600		5310		39		28			
EOM 6		800		7080		47		34			
EOM 7	120	1000		8850		47		34		F12/F14/F16	Handwheel operation planetary gear mechanism
EOM 7A		1300		11505		47		34			
EOM 8		1700		15045		34		25			
EOM 8A	200	2000		17700		34		25	-	F14/F16	Handwheel operation planetary gear mechanism
EOM 9		2300		20355		47		34	-		
EOM 10		3500		30975		76		55	-		
EOM 11	400	5000		44250		105		76	-	F25	Handwheel operation planetary gear mechanism
EOM 12		8000		70800		143		103	-		
EOM 13	400	-	13000	-	115050	-	109	-	-	F25/F30	Handwheel operation planetary gear mechanism
EOM 14		-	16000	-	141600	-	129	-	-		
EOM 15		-	20000	-	177000	-	155	-	-		

Note: Standard configuration

1. Rated torque is 75% of the max torque.
2. Motor insulation is class F. Class H is optional.
3. The running time of 60 Hz is 5/6 of that of 50 Hz. The max output torque is the same as above.
4. Above mentioned 3 phase output power doesn't apply to EFM1-(H), EFMA-(H).
5. For the above 3A/7A/8A/12 products, on/off type is S2-8min; modulating type is S4-15%.