



FEATURES

- **Warranty:** 2 years
- **User Interaction Interface:** Intelligent type is equipped with brand new UI control interface , with the specialized remote control, achieves a variety of function of the actuator configuration operation.
- **Energy Efficiency:** Single-phase and DC power supply is optional, ultra-low energy consumption,suitable for solar and wind powered applications.
- **Patent Mechanic Design:** EOM series of electric actuators are equipped with manual/ electric automatic switching function. No clutch design thus enables the handwheel to be rotated while the machine is running; this is to ensure the safety of the operator. Such design will be the mainstream trend in the future.
- **360° Position Indicator:** Adopts high strength, anti- sunlight and RoHS-compliant plastic 3D window indicator. Users are able to observe the stroke position of the actuator within the 360° visual angle as there 's no dead angles.
- **Interchangeable Connecting Flange:** The base connecting holes are in accordance with ISO5211 standard, also with various connecting flange sizes. It can be replaced and rotated for the same type of actuators in order to achieve with different hole positions and angles of the valve flange connection purposes.
- **Planetary Gears:** Using high strength alloy steel for the planetary gear set. more compact and efficient, achieving greater output for the same volume. At the same time ,having differential input for motor drive and hand wheel operation, we are therefore able to operate electrically and manually at the same time.
- **Sprocket Operation:** Based on the features of operating manually and electrically without clutch mechanism, sprocket operation is more convenient to operate the valve at higher positions.

EOM2-9 SERIES INTEGRATION TYPE QUARTER TURN ELECTRIC ACTUATOR

EOM series angular travel electric actuator is a device that switches the valve in the form of rotating 90° through the multistage reducer, worm gear and other mechanisms through the output shaft. Mainly with butterfly valve, ball valve, plug valve and other similar valve applications. The EOM series angular travel electric actuator uses planetary gear technology to achieve a combination of manual and electric control without clutch, ensuring operator safety and effectively improving transmission efficiency.



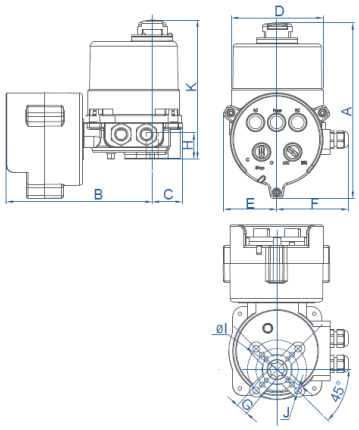
TECHNICAL DATA

Ambient Temperature	-25°C.....70 °C;
Material of Actuator Body	Aluminum Alloy
Torque Range	35-20000N.m
Applicable Voltage	1 phase: AC/DC24V / AC110V / AC220V / AC230V /AC240V 3 phase: AC208-480V

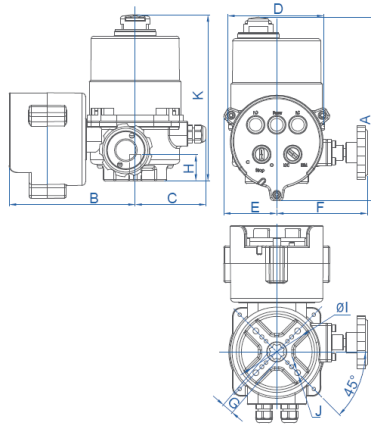
EOM2-9 SERIES INTEGRATION TYPE QUARTER TURN ELECTRIC ACTUATOR

Material of Actuator Body	Aluminum Alloy
Control Mode	On-off Type & Modulating Type
Torque Range	35-20000N.m
Running Time	11-155s
Applicable Voltage	1 phase: AC/DC24V / AC110V / AC220V / AC230V /AC240V 3 phase: AC208-480V
Ambient Temperature	-25°C.....70 °C
Anti-vibration Level	JB/T8219
Noise Level	Less than 75 dB within 1m
Ingress Protection	IP65
Connection Size	ISO5211
Motor Specifications	Class F, with thermal protector up to +135°C +275°F); Optional : Class H
On/off Type Signal	<p>Input Signal: AC/DC 24 auxiliary power input control or AC 110/220v input control Optoelectronic isolation</p> <p>Signal Feedback:</p> <ol style="list-style-type: none"> 1. Close the valve contact 2. Open the valve contact 3. Standard: Opening torque signal contact 4. Closing torque signal contact Local/Remote contact 5. Oprional: Integrated fauol contact 4~20mA to send. <p>Malfunction Feedback: Integrated fault alarm; Power off; Motor overheating, lacke of phase, over torque; signal off; ESD beyond protection, terminal output</p>
Modulating Type Signal	<p>Input Signal: 4-20mA; 0-10V: 2-10V Input impedance: 250Ω (4-20mA) Output signal: 4-20mA; 0-10V: 2-10V Output impedance: ≤ 750Ω (4-20mA) Repeatability and linearity within ±1% of full valve stroke Signal Reverse: Support Loss Signal Mode Setting: Support Dead Zone: 0.5-9.9% adjustable rate within full stroke</p>
Working System	On-off Type: S2-15 min, no more than 600 times per hour start Modulating Type: S4-50% up to 600 times per hour start; Optional: 1200 times per hour
Indication	LCD screen opening indicator
Other Function	<ol style="list-style-type: none"> 1. Phase correction (3-phase power supply only) 2. Alarm signal (local and remote included) 3. Torque protection 4. Motor overheat protection 5. Moisture- resistant heaters (anti-moisture device) 6. Infrared remote control

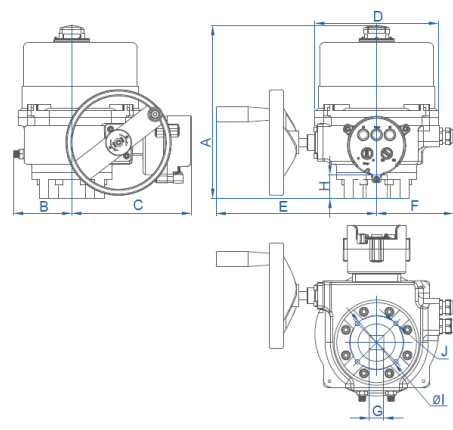
EOM2-9 SERIES INTELLIGENT TYPE QUARTER TURN ELECTRIC ACTUATOR



EFM 1/A



EFM 1/A/B-H



EOM 2~9

DIMENSION

MODEL		A	B	C	D	E	F	G	H	ØI	J	K	WEIGHT (kg)
EFM1	On-off Modulating	207	173	36	114	63	85	11 x 11 14 x 14	20	36 50 70	4- M5 4- M6 4- M8	164	4.1
EFMA		277											4.3
EFM1 -H	On-off Modulating	217	149	84	114	63	108	11 x 11 14 x 14 17 x 17	20	36 50 70	4- M5 4- M6 4- M8	197	4.7
EFMA -H		237											4.9
EFMB -H													
EOM 2	268	77	208	190	240	121	14 x 14	35	70	4- M8	-	12.2	
EOM 3							17 x 17						
EOM 4	327	110	225	266	301	145	22 x 22	55	102	4- M10	-	23.2	
EOM 5							22 x 22						
EOM 6							27 x 27						
EOM 7	380	127	248	265	333	161	27 x 27	65	125	4- M12	-	37.2	
EOM 8							27 x 27						
EOM 9							36 x 36						
EOM 10	532	118	242	265	194	292	40 x 40	85	140	4- M16	156	77.2	
EOM 11							46 x 46		165 165				4- M20 4- M20
EOM 12	545	160	242	265	168	343	55 x 55	130	254	8- M16	156	108.2	
EOM 13	672	520	-	265	281	331	55 x 55	120	254	8- M16	385	219.2	
EOM 14							75 x 75		298				8- M20
EOM 15													

Note: 1. Dimension unit in mm.

2. Above "G" dimension is what we recommended. However, it can be customised according to customers' requirements

3. Above "ØI" and "J" dimensions are in accordance with ISO 5211 flange specifications. Which means that there's only one specification that can be chosen, please specify when ordering.

EOM2-9 SERIES INTELLIGENT TYPE QUARTER TURN ELECTRIC ACTUATOR

PERFORMANCE PARAMETER

Model	Power (W)	Max Output Torque (N.m)		Max Output Torque (lbf.in)		Running time (Sec)				ISO 5211	Remarks
		AC 110 V AC 220 V AC/DC 24 V	AC 220 V AC 380 V 3 Phase	AC 110 V AC 220 V AC/DC 24 V	AC 220 V AC 380 V 3 Phase	50 Hz		AC/DC 24 V	Fail-safe		
						AC 110 V AC 220 V	AC 380 V 3 Phase				
EFMB-1	5	10	-	89	-	13	-	13	-	F03/F04/F05	Manual Wrench
EFMB-2	8	20	-	177	-	12	-	12	-		
EFMB-3	10	30	-	266	-	11	-	11	-		
EFM1-(H)	10	35	-	310	-	11	-	8	-	F03/F05/F07	Manual wrench options: Handwheel
EFMA-(H)		50	-	443	-	15	-	10	-		Handwheel
EFMB-H		80	-	708	-	22	-	15	-		
EOM 2	40	100		885		19		14		F05/F07 F10/F12	Handwheel operation planetary gear mechanism
EOM 3		200		1770		39		28			
EOM 3A		300		2655		39		28			
EOM 4	90	400		3540		29		21		F10/F12/F14	
EOM 5		600		5310		39		28			
EOM 6		800		7080		47		34			
EOM 7	120	1000		8850		47		34		F12/F14/F16	
EOM 7A		1300		11505		47		34			
EOM 8		1700		15045		34		25			
EOM 8A	200	2000		17700		34		25	-	F14/F16	
EOM 9		2300		20355		47		34	-		
EOM 10		3500		30975		76		55	-		
EOM 11	400	5000		44250		105		76	-	F25	
EOM 12		8000		70800		143		103	-		
EOM 13	400	-	13000	-	115050	-	109	-	-	F25/F30	
EOM 14		-	16000	-	141600	-	129	-	-		
EOM 15		-	20000	-	177000	-	155	-	-		

Note: Standard configuration

1. Rated torque is 75% of the max torque.
2. Motor insulation is class F. Class H is optional.
3. The running time of 60 Hz is 5/6 of that of 50 Hz. The max output torque is the same as above.
4. Above mentioned 3 phase output power doesn't apply to EFM1-(H), EFMA-(H).
5. For the above 3A/7A/8A/12 products, on/off type is S2-8min; modulating type is S4-15%.